

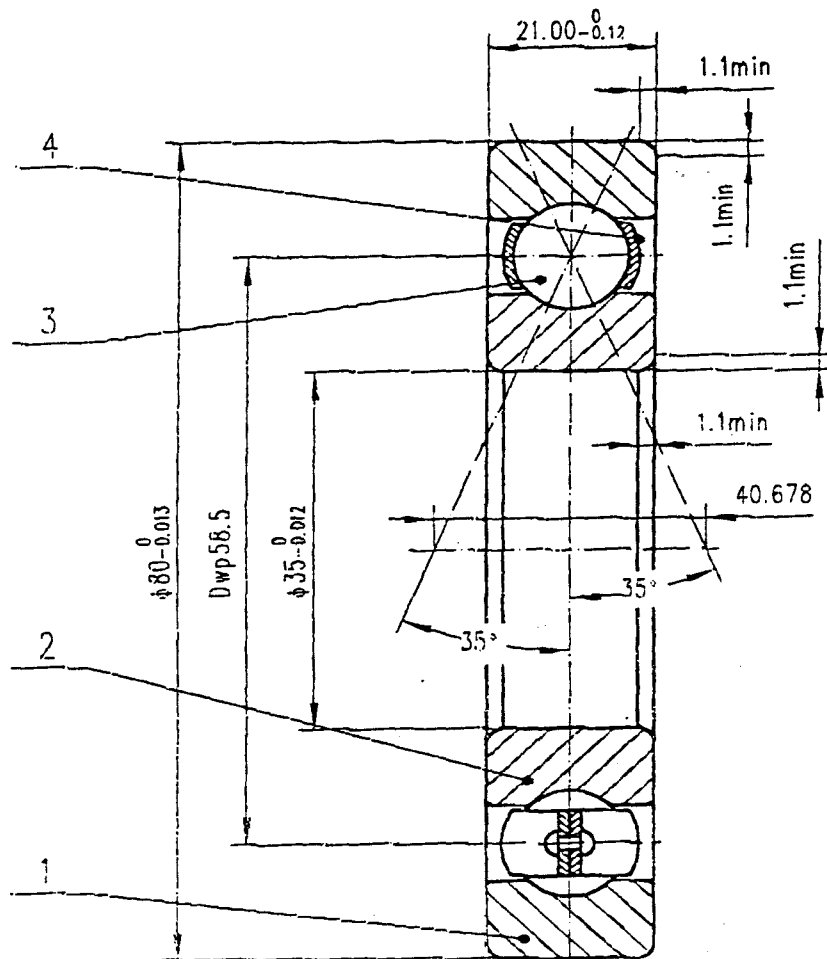
1, Basic load rating:

Cr = 56.7 KN

Cor = 43.8 KN

2, Axial clearance:

0.02 ~ 0.06 mm (load 10 N)



4	07	HALF CAGE	1	08F	
3	04	BALLS ( $\phi 13.494$ )	8	100Cr6	
2	02	INNER RING	1	100Cr6	
1	01	OUTER RING	1	100Cr6	
NO	CODE	ITEM	QTY	MATERIAL	

**FOUR POINT CONTACT  
BALL BEARINGS**

**QJ 307**

**Sturm Praezision GmbH**